

Speaker

Model: OSS04-27-5A0.8W8-W



ELECTRICAL SPECIFICATIONS

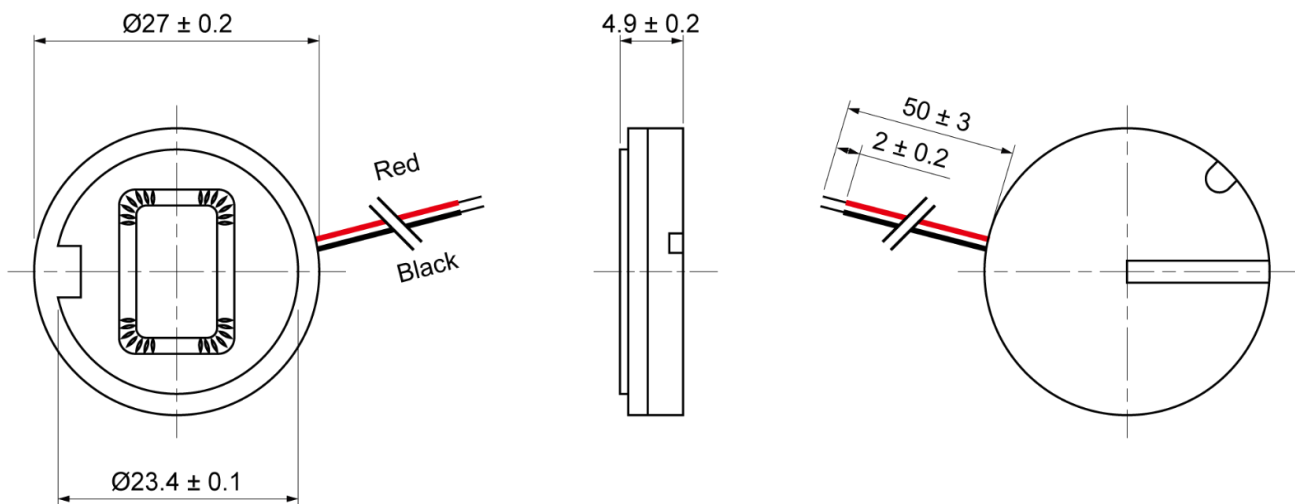
	Condition	Parameter	Unit
Sound Pressure Level	at 0.8W, 0.1M [at 2.0KHz], free air	90 ± 3	dB
Impedance	at 2.53V, 2000Hz	8 ± 20%	Ω
Rated Input Power		0.8	W
Max Input Power		1	W
Resonant Frequency (Fo)	at 2.53Vrms	850 ± 20%	Hz
Frequency Range		500 ~ 20000	Hz
Buzzer & Rattles	not be audible at sine wave between 500 ~ 20KHz	2.23	V
Operating Temperature		-30 ~ 75	°C
Magnet		Nd-Fe-B	
Frame Material		PC+ABS	
Cone Material		PEEK	
Weight		8	g

MECHANICAL DRAWING

Dimensions in mm

Wire: 50mm, UL1571 AWG#32

Tolerance ±0.2mm Except Specified



Speaker

Model: OSS04-27-5A0.8W8-W

FREQUENCY RESPONSE CURVE

Test Condition: 2.53Vrms/10cm / in box

